

ATIMA

Model Name **GENMATE 600**



PREFACE

Thank you for choosing Atima Genmate 600 Portable Power station.

Atima Genmate 600 is a portable high capacity lithium battery power station.

Please read the entire guide book carefully before using it.

This guide book can help to understand how to use Atima Genmate 600 portable power stations safely and efficiently.

The guide book introduces the proper operation, daily checking and maintenance of Genmate 600.

Read the ENTIRE guide book to be familiar with the features of this product before operating. Failure to operate the product correctly may result in damage to the product or personal property and cause serious injury.

If you have any questions/concerns about this product or service, please send email to: hello@atimagenerators.com
Thanks.

DISCLAIMER

Read all safety tips, warning messages, terms of use, and disclaimers carefully. Users take full responsibility for all usage and operations. Familiarize yourself with the related regulations in your area. You are solely responsible for being aware of all relevant regulations and using Atima products in a way that is compliant.

- Warning • PAGE **04**
- Safety Notice • PAGES **04 - 05**
 - Product Use • PAGES **04 - 05**
 - Product Charging • PAGE **06**
- Transportation & Storage • PAGE **06**
- Travel Notice • PAGE **07**
- Product Maintenance • PAGE **07**
- Product Disposal • PAGE **07**
- Operation Instructions • PAGE **08**
 - What's in Box • PAGE **08**
 - Control Panel & Product Details • PAGES **09 - 10**
- Digital Display Screen • PAGE **11**
- How Do I Recharge Atima Genmate 600 • PAGES **12 - 14**
- How To Get Power • PAGES **14 - 15**
- Parallel • PAGES **16 - 17**
- Backup Battery Pack • PAGE **17**
- Technical Specification • PAGES **18 - 19**
- FCC Statement • PAGE **20**
- Wiring Diagram • PAGE **21**
- Error Codes and Trouble Shooting • PAGE **22**



WARNING

Read the ENTIRE user manual to be familiar with the features of this product before operating. Failure to operate the product correctly may result in damage to the product or personal property and cause serious injury. ATIMA will not assume any legal responsibility. DO NOT use the product with incompatible components or alter the product in any way without following the instructions provided by ATIMA. Otherwise, you cannot get after-sales service from ATIMA under warranty condition. These Safety Guidelines include instructions for safety, operation and maintenance. It is important to read and follow all the instructions and warnings in the user manual before assembly, setup or use the product.

Safety Notice

Improper use may result in fire, property damage or personal injury. Make sure to use the product according to the following safety rules and guidelines.



Product Use:

- 1.** DO NOT expose the product to any liquids. Do not immerse the product in water. DO NOT leave the batteries out in the rain or near a source of moisture. Moisture in the device could cause short circuits, component failure, fires or even an explosion. DO NOT touch the Atima Genmate 600 with wet hands. It can cause electric shock and injury.
- 2.** Never use NON- Atima parts.

- Go to: <http://www.atimagenerators.com> to purchase new parts. Atima takes no responsibility for any damage caused by the use of non-Atima parts.
- 3.** Never install or remove other modules from the Genmate 600 when it is turned on. Do not plug or unplug other modules when the power of the product is turned on, otherwise the power interface may be

- damaged.
- 4.** The product should be used in temperatures between -5°F and 104°F (-15°C and 40°C). The use of product in environments above 104 °F (40°C) may cause fire or explosion. Using product below -5°F (-15°C) will severely affect the performance of the product. Allow the product to return to a normal operating temperature before use it.

5. DO NOT use the batteries in strong electrostatic or electromagnetic environments. Otherwise, the battery control board may malfunction and cause a serious accident during use.

6. Never disassemble or pierce the product in any way. Otherwise, it may leak, catch on fire, or explode.

7. DO NOT use the product if it was involved in a crash or a heavy bump.

8. If the product falls into the water during use, take the product out immediately and put it in a safe and open area. Keep a safe distance from it until it is completely dry. Never use it again and dispose it properly as described in the Battery Disposal section below. If the product catches fire, it is recommended to use fire

extinguishing equipment in the following order: water or water mist, sand, fire blanket, dry powder, carbon dioxide fire extinguisher.

9. DO NOT put the machine in a microwave oven or in a pressurized container.

10. Do Not allow pins, wires or other metal pieces to insert to the device case, outlets or controls. Metal pieces may short circuit the product.

11. Avoid collision. DO NOT place heavy objects on the machine.

12. If there is dirt on any plug or outlet surface, use a dry cloth to clean it. Otherwise, it will cause abrasion and result in energy loss or inability to charge.

13. Please do not put it on top of/nearby any medical machine. Atima Genmate 600 sometimes will have electromagnetic

waves, it might affect the medical devices like implantable heart pacemaker . Please consult doctors/medical consultants before using it.

Please avoid nearby heat, dusty or acid products/places. It will cause overheating, smoking or electricity for danger.

14. Always use Atima approved charging cables. Atima does not response to any damage caused by using non-Atima charging cable.

15. Do not damage the entire power station or the cables, plugs. DO NOT use it when it was damaged or deformed.

16. It is strictly forbidden to connect the AC output to the electrical wiring of the power company or any indoor wiring, or this could cause electric shock or fire.

Product Charging:

Before Charging:

Please make sure the socket and plug has no dust. Keep the product out of the reach of children. If any children accidentally swallow parts, please go to a doctor immediately. Please check Atima Genmate 600 to check all the parts are damaged, puff, smoke or any differences before charging. Before charging, make sure the electrical device's rated power \leq 600W and voltage is AC120V (in accordance with the same voltage of Atima Genmate 600, in Europe, it is 230V). If not, it will cause the device and Atima Genmate 600 damage or be fired. Make sure all the cables, plugs or connections have to fit with Atima Genmate 600 before charging, improperly will cause fire or electricity etc.

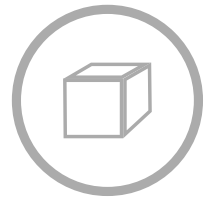
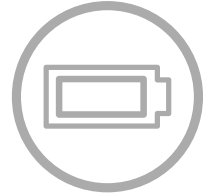
When Charging:

Please ALWAYS use the Atima approved charging cables, or it will cause damage easily. ATIMA does not response to any damage caused by using non-ATIMA charging cable.

Please place the product on the ground with no flammable or combustible materials around. To prevent accidents, never leave the machine unattended during charging.

DO NOT charge a device immediately after a long heavy load, because the product's temperature may be too high.

DO NOT charge a device until it cools down to room temperature. The ideal charging temperature range is 71°F to 82°F(22°C to 28°C).



Transportation & Storage:

1. In principle, this product prohibits non professional institutions from conducting domestic transportation business. In case of emergency or special circumstances, if it is necessary to transport (express) to other countries / regions, please consult the local hazardous chemicals administration on the transportation regulations of the product.
2. In the shipping / delivery, Atima Genmate 600 has the maintained original/proper package. All the battery packages pack well on protection with less vibration/damping. In the delivery, please put the product gently and don't drop it.
3. Never ship a product with a battery power level higher than 30% and keep it turn off.
4. Please store the Atima Genmate 600 at room temperature: -20°C ~ 40°C (-4°F ~ 104°F), 60% RH Max. For long time storage, it is recommended to check the battery capacity every 3 months, and recharge the battery to 90% capacity if the power capacity is less than 50%.
5. Humidity: Dry and ventilation places.
6. Protection: Use a paper box to be waterproof or dusty, and put the battery in the higher place.

- 7. Don't put it under sunshine or corrosive gases.
- 8. If a low-battery warning appears, charge the battery before store it. Otherwise, long-term storage may cause damage to the battery in the product. Batteries in the product will enter hibernation mode if it is depleted and stored for a long time. Recharge the product can bring the battery out of hibernation.
- 9. Make sure no small metal objects can fall on or around the product while in storage.

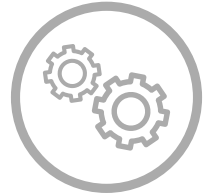
Travel Notice:

It is forbidden to carry lithium batteries and equipment with a capacity greater than 160Wh on airplane due to the regulation; do not bring this product on flights.



Product Maintenance:

- 1. Never store the product in environments below -4°F (-20°C) or above 104°F (40°C).
- 2. If the product is not used for a long time, the battery life may be reduced.
- 3. Please store the Atima Genmate 600 at room temperature: -10°C~40°C. For long time storage, it is recommended to check the battery capacity every 3 months, and recharge the battery to 90% capacity if the power capacity is less than 50% to keep the battery healthy.



Product Battery Disposal:

Dispose the product in specific recycling boxes only after a complete discharge. Batteries are hazardous chemicals. Please strictly follow your local regulations regarding the battery disposal and recycle.



ATIMA Genmate 600 Operation Instructions

Please take some time to read it before using the product. Read it through to fully understand how to use the Lithium Battery Power Station.

What's in Box:



Atima Genmate 600



AC Charger



MPPT(DC) Charger



Atima AC charging cable (input)



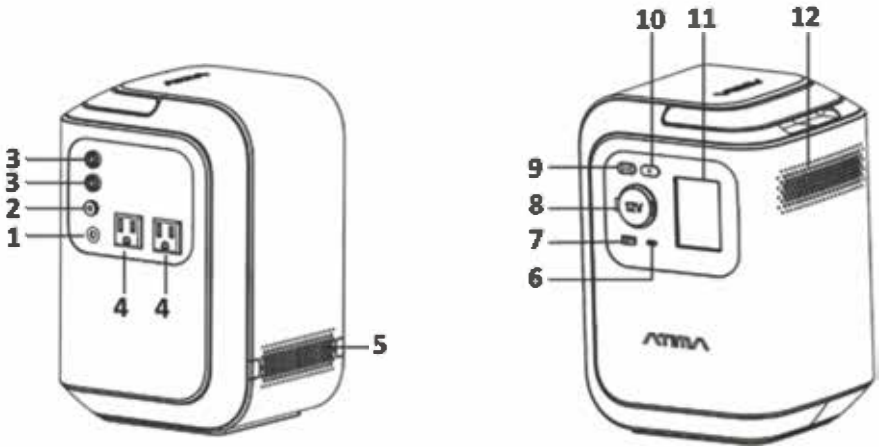
Solar Charge cable (input)



Cigar Charge cable (input)

Note: Due to different product batches and voltage standards, the actual packing list may be slightly different, and the actual shall prevail.

Control Panel & Product Details:



1. Recharging port(Input)

2. Power Earth Screw

3. Paralleling outlet

4. AC Socket

5. Air inlet Vent

6. USB-C socket

7. USB-A socket

8. Cigar Lighter

9. Main Power On/Off Switch

10. AC output Switch

11. Digital Display Screen.

12. Air Outlet Vent

1. Recharging Port (Inlet)

Plug the ATIMA Genmate 600 approved AC inlet charging cable into recharging port, to recharge the product when the display screen shows lower power level. It needs about 5hours to recharge the product from 0% to 100% power level.

2. Power Earth Screw

For safety concern, some electrical devices need to be grounded. The power earth screw provides an option to get your Atima Genmate 600 grounded using a grounding cable.

3. Paralleling outlet

Plug the ATIMA Genmate 600 approved parallel cable into this outlet to connect another ATIMA Genmate 600 or an ATIMA inverter generator together to get a bigger power output.

4. AC Socket

Plug the device which needs power into this socket to get power from ATIMA Genmate 600. Make sure the plug type is proper and the confirm the voltage and frequency is in compliance with the product.

5 & 12. Air Inlet & Outlet Vents

There is a ventilation fan in the shell of the product, the fan prevents the product from overheating. Protect the product working at a right temperature. The heat air will flows in and out through the air inlet & outlet. Please make sure nothing blocks the vents at both ends of the product.

6. USB-C socket : 5V-9V-12V-15V-20V/ 3.2A

Wide voltage available at 5V/9V/12V/15V/20V, devices that charge through a USB-C port, such as a MacBook Pro, Android phone, or other devices.

7. USB-A socket: 5V-9V/3A 12V/2.5A

Provide voltage from 5V to 9V output, devices that charge through a USB-A port can be charged by the Atima Genmate 600 USB-A port.

8. 12V/8A Car Cigar Lighter

Car charger output supports an output up to 10A, which is sufficient to power most electrical devices use in vehicles (such as mini-refrigerator). It can also be used to fully charge a 12V lead-acid car battery (must be used under the guidance of professionals).

9. Main Power On/Off Switch

Press and hold the power button to turn Atima Genmate 600 on or off. When Atima Genmate 600 is turned on, the power indicator is turns green, and the display is on; to turn on or off the Digital and keep Atima Genmate 600 running, short press the power button.

10. Main Power On/Off Switch

Press and hold the power button to turn Atima Genmate 600 on or off. When Atima Genmate 600 is turned on, the power indicator is turns green, and the display is on; to turn on or off the Digital and keep Atima Genmate 600 running, short press the power button.

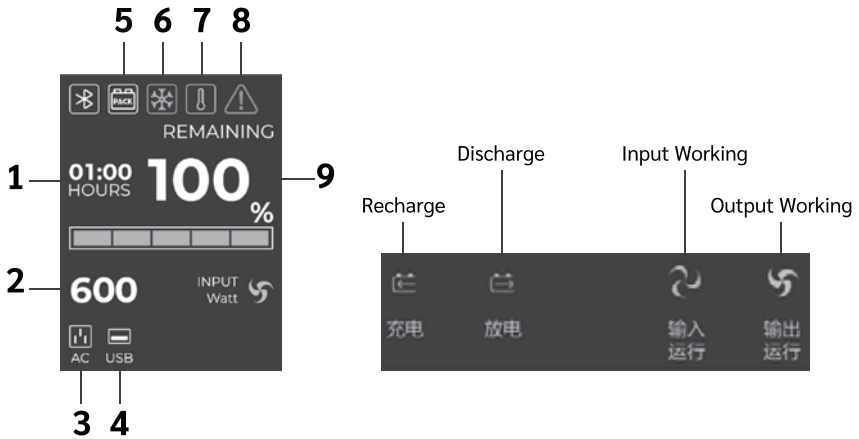
11. Digital Display Screen

Displays various working or power conditions of the product.

Note:

When it is not used for more than 30 minutes after startup, the product will automatically shut down.

Digital Display Screen:



1. Remaining Charge/Discharge Time

The number indicates the remaining charge/discharge time (in hours) for Atima Genmate 600.

It needs about 5hours (via AC charge) to charge from 0% to 100%

2. Charge/Discharge Power

Cyclic display of charge/discharge power.

Unit: Watt

3. AC Output Power

It shows the AC output is working. Unit: Watt.

4. DC output Power

It shows the DC output is working. Unit: Watt.

5. Backup Battery Pack Light

When it lits, shows the backup battery pack is working.

6. Low Temperature Warning

The light flicks and power will be automatically cut off when environment temperature is too low.

7. Overheat Warning

This light flicks and power will be automatically cut off when overheat happened.

8. Error Warning

It appears when fault happened and keeps flicks until fault was solved.

9. Power Capacity

It shows the remaining power capacity. Please immediately recharge the battery when the capacity is less than 10%.

How do I Recharge Atima Genmate 600?



WARNING

Please ALWAYS use the Atima approved charging cables, or it will cause damage easily. ATIMA does not response to any damage caused by using non-ATIMA charging cable. Please read the safety guidelines on Page 3 to 6 to ensure a safety operation.



WARNING

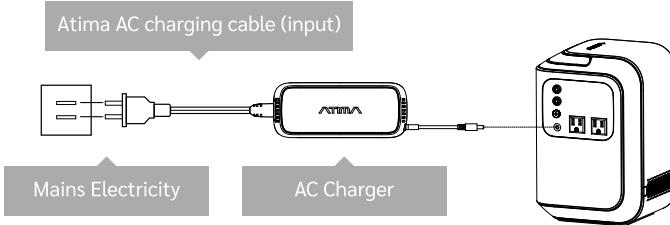
When connecting the electrical power plug, be sure to tighten the plug. If left unplugged, this can lead to electrocution, heat and fire. make sure there is no dust between the power plug and the socket. Please keep this unit out of reach of children. Remove power supply immediately if abnormal smell, heat, discoloration or deformation occurs during charging.

NOTICE! : When using the charger, please place the charger horizontally.

Atima Genmate 600 can be recharged by 3 modes:

1. Via AC power

Atima Genmate 600 has a recharging port (see page 9 picture). The Atima Genmate 600 can be recharged via AC power from wall electricity. Plug the Atima approved AC charging cable to wall electricity and connect to Atima Genmate 600 recharge port to recharge it.



Recharging Time:

It needs about 5 hours (25°C/77°F) to recharge the Atima Genmate 600 from 0% to 100% power level. The Digital screen displays the condition of recharging, current power level and available working time(H). (See below picture).



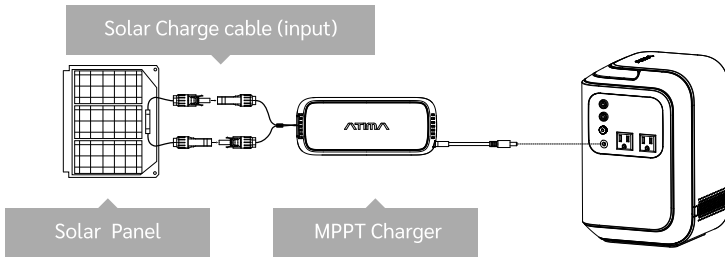
2. Via Solar Panels (with DC controller)

If you need to use solar panels or car 12V (cigarette lighter outlet) to recharge Atima Genmate 600, please buy DC charger from sales outlets.

The DC specifications as below:

Input Voltage	10V -28V DC
Output Voltage	42V DC
Output Power	150W
Output Current	3.5A

- Insert the input plug of the solar charging into the output terminal of the solar panel, as shown in figure.
- Connect Solar charging cable to the DC charger.
- Connect the DC output plug to Atima Genmate 600 recharge port.

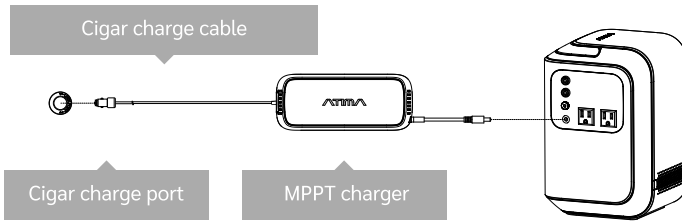


Recharging Time :

Because of the difference of power and illumination of solar panel, the input voltage and power are very different, and the charging time varies widely.

3. Via 12V DC (Car Cigarette Lighter)

- Plug the DC DC input into the car 12V (cigarette lighter) socket.
- Connect the output plug to Atima Genmate 600 recharge port.
- The Digital screen displays the condition of recharging, current power level and available working time(H).



Recharge Time :

It needs about 6hours to recharge Atima Genmate 600 from 0% to 100% power level by getting power supply from a 12V DC in the vehicle.

How To Get Power from Atima Genmate 600?



WARNING

Please ALWAYS use the Atima approved charging cables, or it will cause damage easily. ATIMA does not response to any damage caused by using non-ATIMA charging cable. Please read the safety guidelines on Page 4 to 7 to ensure a safety operation.

Notice:

When connecting the electrical power plug, be sure to tighten the plug. If left unplugged, this can lead to electrocution, heat and fire. make sure there is no dust between the power plug and the socket. Please keep this unit out of reach of children.

Remove power supply immediately if abnormal smell, heat, discoloration or deformation occurs during charging.

Notice:

Atima Genmate 600 has 2 AC sockets, if only use one of them, please pay attention that loading/device cannot exceed the limit of 5A current and rated power of 600 watts.

If use both of the AC socket, the loading/device cannot exceed the limit of 5A and the total rated power of 600 watts in total.

Make sure before use that the electrical device in 120 Volts. Or it will cause the damage of electrical devices and Atima Genmate 600, or fire and other damage.

Before use, make sure that the plug of the device matches the output socket/connector of Atima Genmate 600. Do not connect if the plug does not match. Or it will lead to fire, electric shock, etc. Do not charge devices while Atima Genmate 600 is being recharged.

3 Modes to get Power from Atima Genmate 600:

Press the main power switch for 3 seconds, when the back light lit, then press AC switch for 3seconds. Then, you can get power from Atima Genmate 600 via 3 modes:

- 1.** Via DC outlet
- 2.** Via AC outlets
- 3.** Via USB outlets

Use the Atima Genmate 600 as below steps:

- 1.** Make sure the device is in "OFF" condition.
- 2.** Press Power Switch of Atima Genmate 600 for 3 seconds to turn on the product.
- 3.** Plug the device to the outlet of Atima Genmate 600. And press AC switch for 3 second until the back light lits. (if get power from DC or USB sockets, no need to press the AC switch).
- 4.** Turn on the device and Use it.

Notice:

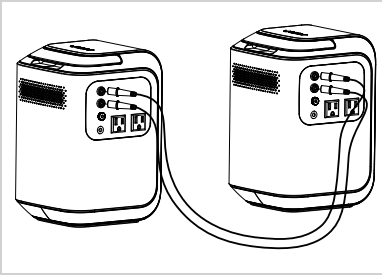
Output power is not recommended when Atima Genmate 600 power level is less than 10%.

Parallel

Atima Genmate 600 supports 2 units to be paralleled when you need a power bigger than rated 600 watts. After being paralleled, the total power is almost double (except few power consumption loss)

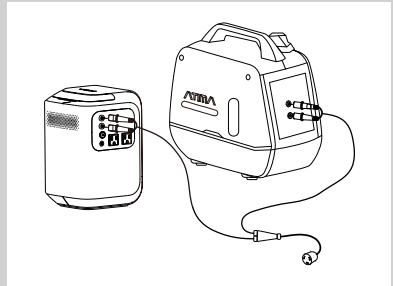
1. Parallel 2 X Atima Genmate 600

Can use any of the AC outlets on both units to get power output.



2. Parallel 1 X Atima Genmate 600 and 1X Atima portable inverter generator (read generator's guide book).

Need to get power outlet from ATIMA approved parallel cable box.



Notice:

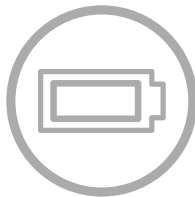
1. Please follow the safety guidelines of Page 4 to Page 7 before paralleled. And read the guide book of the units to be paralleled.
2. The loading/ devices rated power must not exceed the total rated power of paralleled units.
3. Please ALWAYS uses ATIMA approved parallel cable.
4. Please NEVER parallel ATIMA products with other non-ATIMA products.
5. Connect the parallellation before turning on the power switch of units. Disconnect the parallellation after turn off the power switch of units.
6. If only use one unit, MUST disconnect the parallel cable before use.
7. NEVER turn off any one of the units when paralleling is working. Or it may Lead to fire or personal accident or other electrical failure, or damage to the products.

How To Parallel?

1. ALWAYS use ATIMA approved parallel cable to connect 2 ATIMA units by plugging into the parallel outlet on units.
2. Both paralleled ATIMA units must ground, consult professional electrical engineer for grounding or consult sales store.
3. Make sure the devices and ATIMA units are in same frequency, or the overheat warning light on Digital display screen shows and cuts off the power output automatically.
4. Turn on the Main Power Switch of both units.(when parallel with a generator, pls turn on its power switch to “Run” position.
5. Turn on the AC switch of both units.(when parallel with a generator, start the generator. Follow the guide of generator’s guide book)
6. Make sure the electrical device in “OFF” condition before plug it to AC outlet.
7. Plug device to AC outlet. Turn on the device.
8. When any abnormal operation /Failure happens, the units will cut off the power outlet automatically. AC output switch indicator light turns off and the warning light will flicks. Lightly touch the power switch, the screen will display the error code.

Backup Battery Pack (Optional)

Backup battery pack can provides an emergency power for about 1 hours (at full load) when Atima Genmate 600 is out of power at a circumstance where cannot get recharged.
Please buy backup battery pack from sales store. It is not included in standard package of Atima Genmate 600.



Technical Specification		
Battery (40cells)		
Battery	21700 Ternary lithium	
Battery Pack Voltage	36V	
Battery Capacity	720Wh	
AC outlets x 2		
Max.Output	1200 W (VA) @25°C	
Rated Output	600W(VA)	
Rated Voltage	120V	
Rated Current	5A	
USB-A outlet x 1		
Rated Output	30W	
Rated Voltage	5V ~ 9V	12V
Rated Current	3A	2.5A
USB-C outlet x 1		
Rated Output	65W	
Rated Voltage	5V/9V/12V	20V
Rated Current	3A	3.25A
Cigar Plug x 1		
Rated Output	138W	
Rated Voltage	13.8V	
Rated Current	10A	
MPPT Charger x 1		
Input Voltage	10V-28V	
Output Power	150W	
Output Voltage	42V	
Output Current	3.5A	
AC Charger x 1		
Input Voltage	100~240V	
Output Power	150W	
Output Voltage	42V	
Output Current	3.5A	

Electrical parameter		
Frequency	60Hz	
Voltage Regulator	PWM	
AC Power Wave	Pure Sine Wave	
Parallel(support 2 Genmate 600 paralleled)		
Max.Output	2400 W (VA) (Not recommend, production starts automatically in 5seconds)	
Rated Output	1200W(VA)	
Rated Voltage	120V	
Rated Current	10A	
Recharging Time		
Via AC charge	About 5hrs	
Via Solar Panel	Because of the difference of power and illumination of solar panel, the input voltage and power are very different, and the charging time varies widely. Charging time is about 5hrs with input of 150W.	
via 12V Cigar plug	About 6hrs	
Protection		
Input	Over-charge, Low voltage,Over heat, Short circuit	
Output	Over discharge,Over load, Over heat,Short circuit	
Display Screen		
Digital screen, display working data and error codes		
Working Time		
About 1hr at 100% rated load, 2hrs at 50% rated load		
Packing Data		
Overall Dimension	L198xW197xH285 (mm)	
Weight	N.W: 6.3Kg / G.W: 9.2Kg	
AC charger Weight	540g	
MPPT Charger Weight	600g	
Packing Size	inner pack	outer pack
	L315xW280xH407 (mm)	L335xW300xH407 (mm)

Ambient Temperature	-15°C~40°C (5°F ~ 104°F)
Ideal Working Temperature	22°C~28°C (72°F ~ 83°F)

FCC Statement:

This device complies with Part 15 of the FCC Rules. Operation is subject to the following two conditions:

- (1) This device may not cause harmful interference, and
- (2) This device must accept any interference received, including interference that may cause undesired operation.
- (3) This equipment complies with FCC radiation exposure limits set forth for an uncontrolled environment. This equipment should be installed and operated with minimum distance 20cm between the radiator & your body.

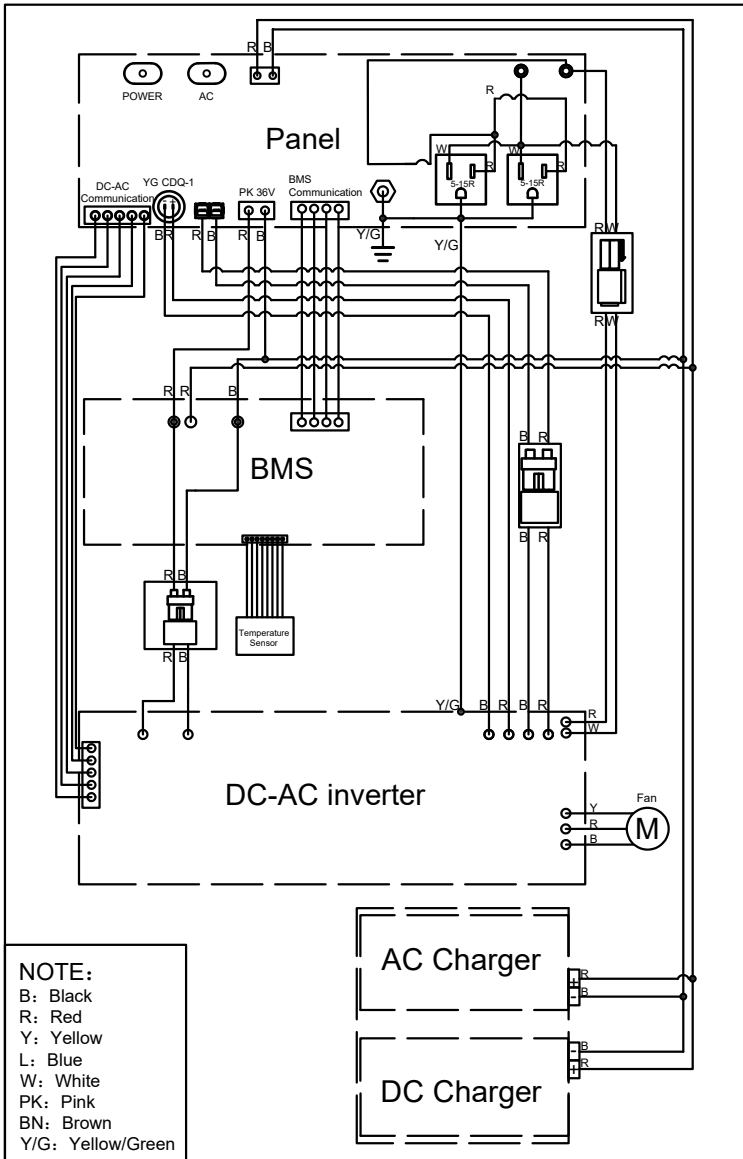


Note:

This equipment has been tested and found to comply with the limits for a Class B digital device, pursuant to Part 15 of the FCC Rules. These limits are designed to provide reasonable protection against harmful interference in a residential installation. This equipment generates uses and can radiate radio frequency energy and, if not installed and used in accordance with the instructions, may cause harmful interference to radio communications. However, there is no guarantee that interference will not occur in a particular installation. If this equipment does cause harmful interference to radio or television reception, which can be determined by turning the equipment off and on, the user is encouraged to try to correct the interference by one or more of the following measures:

1. Orient or relocate the receiving antenna.
2. Increase the separation between the equipment and receiver.
3. Connect the equipment into an outlet on a circuit different from that to which the receiver is connected.
4. Consult the dealer or an experienced radio/TV technician for help.

WIRING DIAGRAM



Error codes and trouble shooting

Error Code	Error	Cause of Failure	Remedy
INVERTER I			
I01	AC output delay or shuts down	Overload	Reduce the loading
I02	AC output shuts down	Short circuit	Check if the inverter output/load is short circuited
I04	AC output shuts down	Low Battery Pack Input Voltage	Recharge Genmate 600
I20	AC output shuts down	Overload or DC 12V short circuited	Check whether the air duct is blocked, if there is blocked, please remove the block, and then shut down for a period of time after the internal temperature is reduced, then power on
I0200	DC12V shuts down	DC12V overheat or short circuit	Check if the load is shorted out. Check whether the air duct is blocked, if there is blocked, please remove the block, and then shut down for a period of time after the internal temperature is reduced, then power on
BATTERY B			
B20	AC output delay or shuts down	Overload	Reduce the loading
B0200	AC output shuts down	Overload or DC 12V short circuited	Check whether the air duct is blocked, if there is blocked, please remove the block, and then shut down for a period of time after the internal temperature is reduced, then power on
B0400	battery input shuts down	Recharging overcurrent	Check the charger for excessive current
B0800	battery output shuts down	The battery pack is too cold	wait for the ambient temperature to rise
B1000	battery output shuts down	The battery pack is overheating	Waiting for battery temperature drop to normal

ATIMA



All The Suggestions From Our Users Are Welcomed!



www.atimagenerators.com



Customer Service Call: +1 - 888 - 266 - 6621



Email: hello@atimagenerators.com